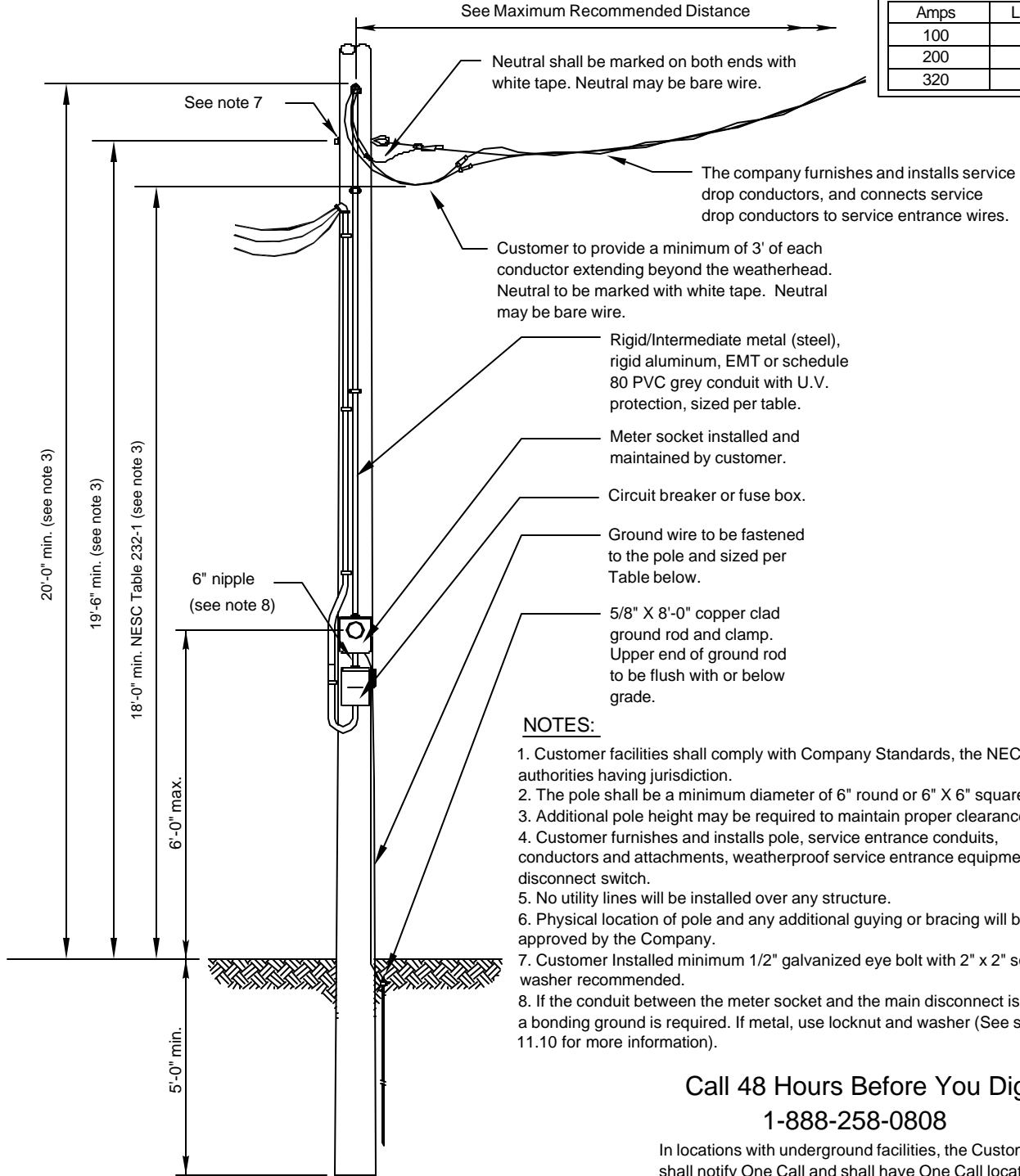


911 address shall be 3" lettering marked on pole or on durable material attached to pole.

Maximum Recommended Distance	
Amps	Length
100	100'
200	75'
320	40'



NOTES:

1. Customer facilities shall comply with Company Standards, the NEC, and authorities having jurisdiction.
2. The pole shall be a minimum diameter of 6" round or 6" X 6" square.
3. Additional pole height may be required to maintain proper clearance.
4. Customer furnishes and installs pole, service entrance conduits, conductors and attachments, weatherproof service entrance equipment, and disconnect switch.
5. No utility lines will be installed over any structure.
6. Physical location of pole and any additional guying or bracing will be approved by the Company.
7. Customer Installed minimum 1/2" galvanized eye bolt with 2" x 2" square washer recommended.
8. If the conduit between the meter socket and the main disconnect is PVC, a bonding ground is required. If metal, use locknut and washer (See section 11.10 for more information).


**Call 48 Hours Before You Dig
1-888-258-0808**

In locations with underground facilities, the Customer shall notify One Call and shall have One Call locate all underground facilities before digging. It shall be the responsibility of the Customer to stay clear of all underground facilities.

CUSTOMER INSTALLATION MINIMUM WIRING SIZE FOR SINGLE FAMILY DWELLING

METER SIZE	CONDUIT SIZE	ALUMINUM (INSULATION PER NEC)	COPPER (INSULATION PER NEC)	NEUTRAL WIRE SIZE	GROUND WIRE SIZE
100 Amp	1.5"	#2	#4	same as phase	#6 Cu
200 Amp	2"	4/0	2/0	same as phase	#4 Cu
320 Amp	3"	500 kcm	350 kcm	see NEC	#2 Cu

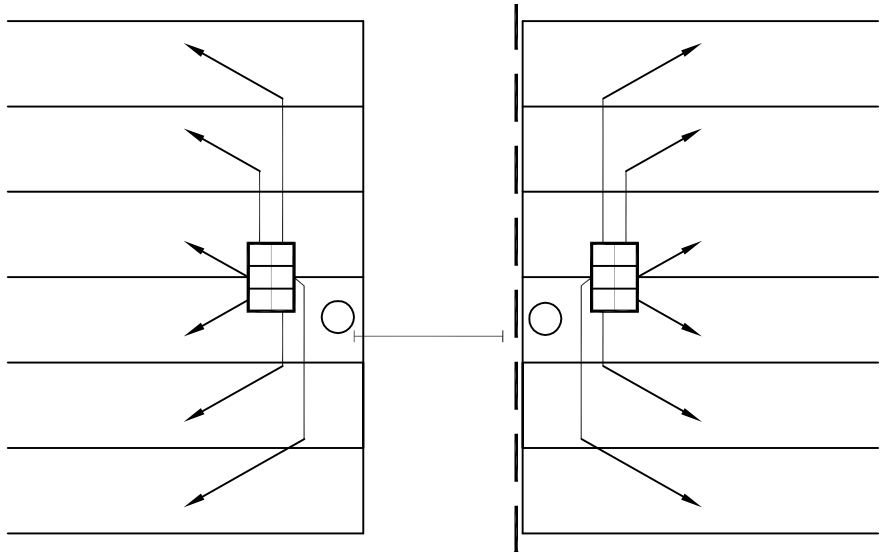
4	3/08	UPDATED: CUSTOMER INSTALLATION STANDARDS TEAM	DAT	
3	4/02	UPDATED: CUSTOMER INSTALLATION STANDARDS TEAM	DAT	
2	5/99	UPDATED PER SERVICE STANDARDS TEAM	TKV	
1	6/98	UPDATED PER SOLUTION GROUP RECOMMENDATIONS	MCC	
NO.	DATE:	REVISION	BY:	APPR:

ENTERGY SERVICES, INC.	
TYPICAL INSTALLATION - CENTRAL SERVICE POLE (FARMS & MULTIPLE SERVICE DROPS)	
APPROVED BY: JDS	DATE: April 1998
CHECKED BY: LKE	SCALE: NONE
DRAWN BY: WINK-AJC	
No. SS4.8-1	
	
PLOT 1=1	SH. 1 OF 1

911 address shall be a minimum 3" lettering marked on meter enclosure, pole, or durable material attached to pole and should be visible from street. (See sections 1-3, 3, 4)

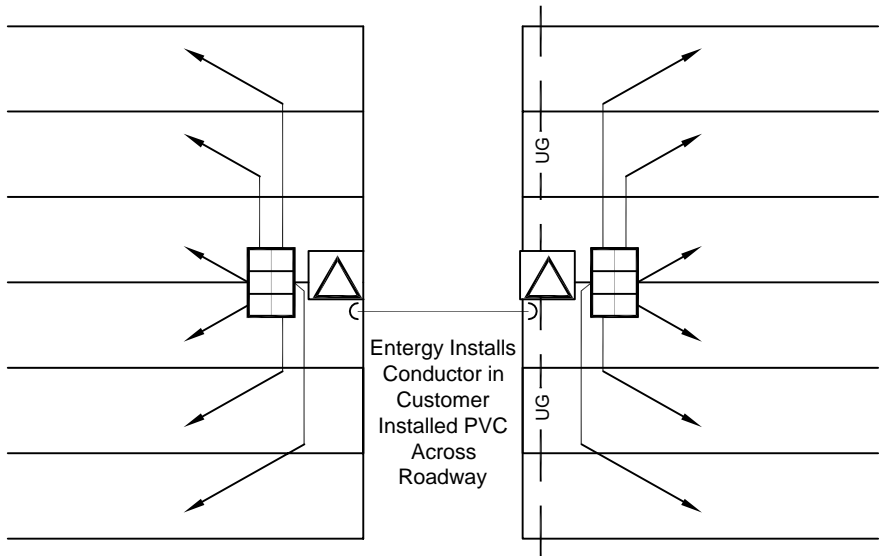
Typical Overhead Layout for Mobile Home Park

For details on overhead layout for mobile home parks, see drawing SS4.7-1





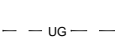
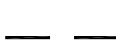


Typical Underground Layout for Mobile Home Park

For details on underground layout for mobile home parks, see drawing SS4.7-2



Legend

-  Utility Pole
-  Entergy Padmount Transformer or Pedestal
-  Multiple meter installation by Developer
-  Trailer wiring from meter by developer
-  Underground Primary Cable
-  Overhead Primary Cable

911 address shall be a minimum 3" lettering marked on meter enclosure, pole, or durable material attached to pole and should be visible from street. (See sections 1-3, 3, 4)


Call 48 Hours Before You Dig
1-888-258-0808

In locations with underground facilities, the Customer shall notify One Call and shall have One Call locate all underground facilities before digging. It shall be the responsibility of the Customer to stay clear of all underground facilities.

ENTERGY SERVICES, INC.

Typical Layout for Mobile Home Park with Multiple Meter Installations

APPROVED BY: JRH	DATE: 11/9/06
CHECKED BY: JED	SCALE: NONE
DRAWN BY: dtaylo5	

	No. SS4.7-3	
	PLOT 1=1	SH. 1 OF 1

NO.	DATE:	REVISION	BY:	APPR: